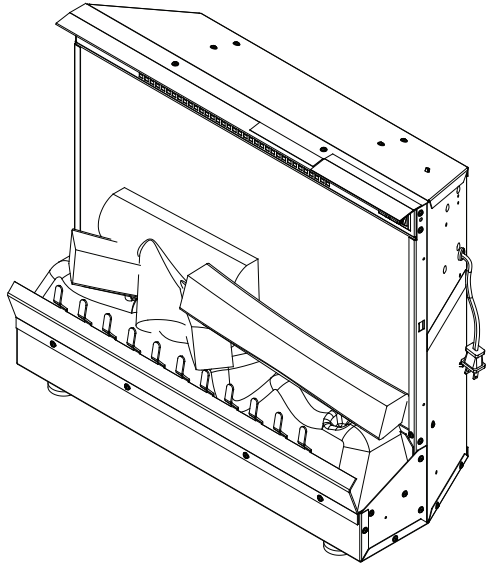


Owner's Manual



Serial Number _____

Model Number _____

Part Number _____

Valued Customer,

Thank you and congratulations for purchasing a Dimplex electric fireplace. Over the years, valuable memories will occur around the warmth and comfort of your fireplace. Thank you for allowing our product to be the backdrop for those special moments.

QUICK REFERENCE GUIDE

1. Prior to the first use of the fireplace verify the following:
 - Are the circuit breakers for the fireplace on?
 - Are the light bulbs in your fireplace loose? (to check, follow the instructions for replacing the light bulbs under the maintenance section of this manual)
2. The heater on your fireplace may emit a slight, harmless odor when first used. This odor is a normal condition caused by the initial heating of internal heater parts.
3. The information regarding the model of your fireplace can be found on the rating plate located on the top or the back of the fireplace.
4. If you have any technical questions regarding the operation of your fireplace, or require service for your fireplace contact Dimplex North America customer service at 1-888-DIMPLEX (1-888-346-7539).

CONTENTS

Important Instructions	PAGE 4
Model and Serial Number Information. . . .	PAGE 6
Installation	PAGE 6
Operation.	PAGE 8
Maintenance	PAGE 10
Warranty	PAGE 12

! NOTE: This equipment has been tested and found to comply with the limits for Class B digital device, pursuant to part 15 of the FCC Rules. These limits are designed to provide reasonable protection against harmful interference in a residential installation. This equipment generates, uses and can radiate radio frequency energy and, if not installed and used in accordance with the instructions, may cause harmful interference to radio or television reception, which can be determined by turning the equipment off and on, the user is encouraged to try to correct the interference by one or more of the following measures:

- Reorient or relocate the receiving antenna.
- Increase the separation between the equipment and the receiver.
- Connect the equipment into an outlet on a circuit different from that to which the receiver is connected.
- Consult the dealer or an experienced radio/TV technician for help.

Operation is subject to the following two conditions: (1) this device may not cause interference and; (2) this device must accept any interference, including interference that may cause undesired operation of the device.

IMPORTANT INSTRUCTIONS

Please Retain This User's Guide For Future Reference

When using electrical appliances, basic precautions should always be followed to reduce the risk of fire, electric shock, and injury to persons, including the following:

1. Read all instructions before using this fireplace.
2. This fireplace is hot when in use. To avoid burns, do not let bare skin touch hot surfaces. The trim around the heater outlet becomes hot during heater operation. Keep combustible materials, such as furniture, pillows, bedding, papers, clothes, and curtains at least 3 feet (0.9m) from the front of the unit.
3. Extreme caution is necessary when any heater is used by or near children or invalids and whenever the fireplace is left operating and unattended.
4. Always unplug the fireplace when not in use.
5. Do not operate any fireplace with a damaged cord, plug, or if the heater has malfunctioned, the fireplace has been dropped or damaged in any manner. Return heater to authorized service facility for examination, electrical or mechanical adjustment, or repair.
6. Do not use outdoors.
7. This fireplace is not intended for use in bathrooms, laundry areas and similar indoor locations. Never locate heater where it may fall into a bathtub or other water container.
8. Do not install the fireplace directly on carpet or a similar surface, which may restrict air circulation beneath the unit.
9. Do not run the cord under carpeting. Do not cover cord with throw rugs, runners, or the like. Arrange cord away from traffic area and where it will not be tripped over.
10. To disconnect the fireplace, turn the controls off, then remove the plug from the outlet.
11. Do not insert or allow foreign objects to enter any ventilation or exhaust opening as this may cause an electric shock or fire, or damage to the heater.
12. To prevent a possible fire, do not block air intake or exhaust in any manner. Do not use on soft surfaces, like a bed, where openings may become blocked.
13. All electrical heaters have hot and arcing or sparking parts inside. Do not use in areas where gasoline, paint, or flammable liquids are used or stored or where the unit will be exposed to flammable vapors.
14. Do not modify this fireplace. Use it only as described in this manual. Any

other use not recommended by the manufacturer may cause fire, electric shock or injury to persons.

15. To reduce the risk of electric shock, this appliance has a polarized plug (one blade is wider than the other). This plug will fit in a polarized outlet only one way. If the plug does not fit fully in the outlet, reverse the plug. If it still does not fit, contact a qualified electrician to install the proper outlet. Do not change the plug in any way.
16. Avoid the use of an extension cord. Extension cords may overheat and cause a risk of fire. If you must use an extension cord, the cord must be No. 14 AWG minimum size and rated no less than 1875 Watts.
17. Do not burn wood or other materials in this fireplace.
18. Do not strike fireplace glass.
19. Always use a certified electrician should new circuits or outlets be required.
20. Always use properly grounded, fused and polarized outlets.
21. Disconnect all power supply before performing any cleaning, maintenance or relocation of the fireplace.
22. When transporting or storing the fireplace and cord, keep in a dry place, free from excessive vibration and store so as to avoid damage.
23. Use only on 15 Amp branch circuits.



CAUTION
RISK OF ELECTRIC SHOCK
DO NOT OPEN
NO USER-SERVICABLE PARTS INSIDE

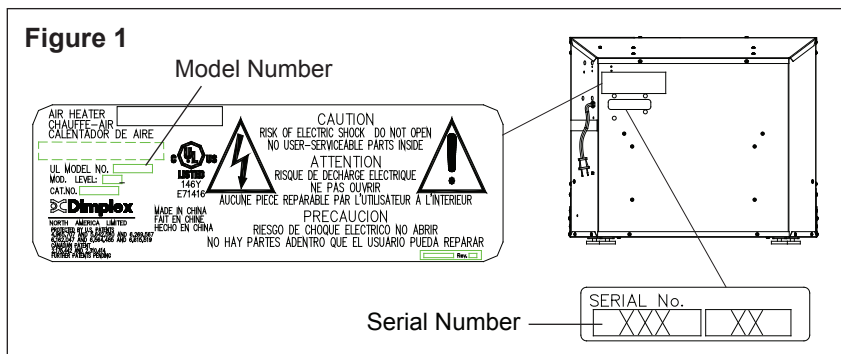


SAVE THESE INSTRUCTIONS

- !** **NOTE:** Procedures and techniques that are considered important enough to emphasize.
- !** **CAUTION:** Procedures and techniques which, if not carefully followed, will result in damage to the equipment.
- !** **WARNING:** Procedures and techniques which, if not carefully followed, will expose the user to the risk of fire, serious injury, illness or death.

Model and Serial Number Information

If you have any questions about our products please have the product model and serial numbers available upon calling Dimplex customer service. To locate the model and serial number labels see below (Figure 1).



Installation

⚠ WARNING: The electric insert must be installed in an opening with the **minimum** dimensions 24 inches (61 cm) wide, 21.5 inches (54.6 cm) high and 12 inches (30.5 cm) deep.

! NOTE: To prevent personal injury always use a licensed electrician to install new outlets or circuits.

! NOTE: To prevent personal injury always use a professional to cap the chimney flue or cut a hole in the existing fireplace for wiring.

! NOTE: If returning your fireplace to its original use (ex. wood burning), it should be inspected by the local building department prior to use to reduce the risk of fire and personal injury.

Existing Fireplace

1. Seal all drafts and vents with non-fibrous insulation materials to prevent chimney debris from falling onto the fireplace insert. Do not install into an existing fireplace that is prone to dampness.
2. Cap the top of the chimney flue and close damper (if applicable) to

prevent rain from entering.

3. Plan your electric power supply. A 15 Amp, 120 Volt circuit is required. A dedicated circuit is preferred but not essential in all cases. A dedicated circuit will be required if after installation, the circuit breaker or fuse trips. Additional appliances may exceed the current rating of the circuit breaker or fuse.
4. Install an outlet into the existing fireplace. If an outlet is not installed into the existing fireplace the power cord can also run along the front of the hearth to an outlet near the fireplace.

⚠ WARNING: Ensure the power cord is not installed so that it is pinched or against a sharp edge and ensure that the power cord is stored or secured to avoid tripping or snagging to reduce the risk of fire, electric shock or injury to persons.

Construction and electrical outlet wiring must comply with local building codes and other applicable regulations to reduce the risk of fire, electric shock and injury to persons.

Do not attempt to wire your own new outlets or circuits. To reduce the risk of fire, electric shock or injury to persons, always use a licensed electrician.

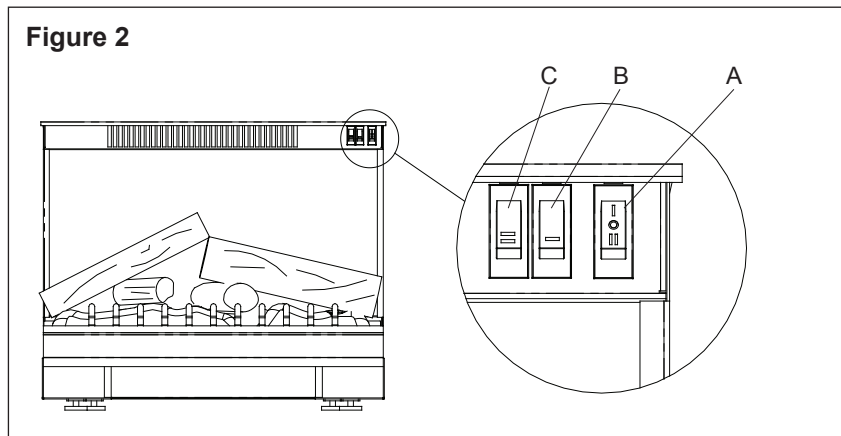
5. Ensure the insert power is off (see Operation page 8). Plug the insert into the outlet and slide the unit into the existing fireplace.
6. Push the insert into the firebox and center within the opening. Adjust the four (4) feet on the bottom of the insert by turning counter clockwise to raise and clockwise to lower so that is level with the existing fireplace hearth.
7. Install the trim kit onto the fireplace insert (if applicable) and push the trim and or insert back until the trim is flat against the finished wall.

⚠ WARNING: The fireplace insert can be used with existing fireplace and screens.

Due to the heat produced from the heater, existing fireplace screens must provide adequate air flow in front of the unit. **Do not use existing fireplace doors that close, sealing off the fireplace insert from the room. If installed behind bi-fold doors, doors must be open to allow heat to be exhausted.**

Operation

Figure 2



A - Three Position On/Off Switch

The switch has two (2) On positions marked with “ I ” and “ II ”. The “ I ” position is for manual operation. In this position the built-in remote control is bypassed.

The “ II ” position is for operating the unit with the provided remote control. When in “ II ” position the unit is operated with the ON and OFF buttons of the remote control.

When the switch is in the center (“ O ”) position the unit is off.

B - Low Heat On/Off Switch

The Low Heat On/Off Switch supplies power to the heater fan and the heater element. When the switch is in the ON position the heater operates on LOW.

C - High Heat Switch

The High Heat On/Off Switch supplies power to the heater fan and the heater element, when the switch is in the ON position the heater operates on HIGH. The B - Low Heat On/Off Switch must also be in the ON position for the high heat setting to operate.

Resetting the Temperature Cutoff Switch

The heater is protected with a safety device to prevent overheating. Should the heater overheat, an automatic cut out will turn the heater off and it will not come back on without being reset. It can be reset by switching the Three Position On/Off Switch (Figure 2A) to Off (“O” position) and waiting five (5) minutes before switching the unit back on.

⚠ CAUTION: If you need to continuously reset the heater, unplug the unit and call your local dealer.

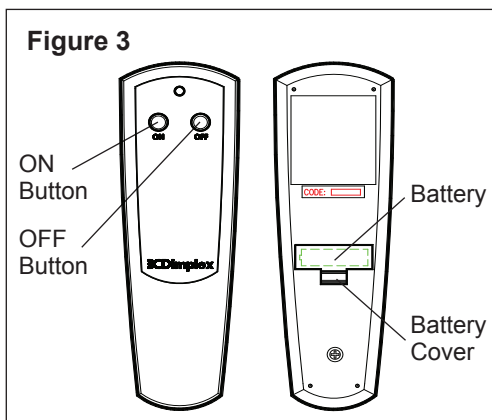
Remote Control

(Figure 3)

The fireplace is supplied with an integrated On/Off remote control.

! NOTE: Ensure that the fireplace’s Three Position Switch is set to the remote control setting (“II” position).

To operate, push the ON button to turn fireplace on, push the OFF button to turn the fireplace off.



Remote Control Initialization

In the event that your remote control ceases to operate your fireplace, follow these steps to re-initialize the hand held transmitter and the remote control receiver in the fireplace:

1. Place the Three Position Switch (Figure 2A) in the Off (“O”) position.
2. Wait a minimum of five (5) seconds and then place the Three Position Switch in the Remote Control (“II”) position.
3. Within 10 seconds of changing the switch position, press the ON button located on the remote control transmitter (Figure 3).

This will synchronize the remote control transmitter and the fireplace receiver.

! NOTE: You will have only 10 seconds to perform this last step. Failure to do so will result in these steps needing to be followed again.

Battery Replacement

To replace the battery:

- Slide battery cover open on the hand held transmitter (Figure 3).
- Correctly install one (1) 12 Volt (A23) battery in the battery holder.
- Close the battery cover.

Maintenance

⚠ WARNING: Disconnect power before attempting any maintenance or cleaning to reduce the risk of fire, electric shock or damage to persons.

Light Bulb Replacement

⚠ WARNING: Allow at least 10 minutes for the light bulbs and heater to cool before attempting any maintenance or cleaning.

Light bulbs need to be replaced when you notice a dark section of the flame. There are two (2) bulbs under the log set which generate the flames and embers.

Light Bulb Requirements

Quantity 2 (two) clear chandelier or candelabra bulbs with an E-12 (small) socket base, 60 Watt rating. Example: GE 60BC or Philips 60CTC.

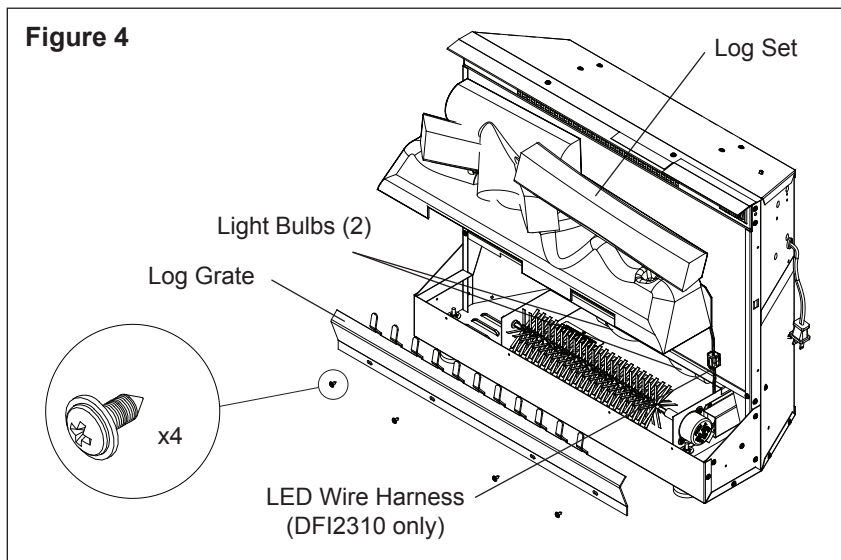
Do not exceed 60 Watts per bulb.

Required tools: Phillips screw driver.

Replacement:

1. With a Philips screwdriver remove the screws from the Log Grate (Figure 4).
2. Remove the Log Set by lifting straight up.

Figure 4



! NOTE: Log Set fits tightly into firebox, some force may be necessary to remove.

3. Disconnect the Log Set LED Wire Harness from the unit (DFI2310 only).
4. Unscrew the bulbs counter clockwise.
5. Insert and install new bulbs.
6. Reconnect the Log Set LED Wire Harness to unit (DFI2310 only).
7. Replace the Log Set into the insert.
8. Replace Log Grate and install screws from step 2.

Glass Cleaning

The glass is cleaned in the factory during the assembly operation. During shipment, installation, handling, etc., the glass surface may collect dust particles, these can be removed by buffing lightly with a clean dry cloth.

To remove fingerprints or other marks, the glass can be cleaned with a damp cloth using a good quality household glass cleaner. The glass should be completely dried with a lint free cloth or paper towel. Do not

use abrasive cleaners on glass surface or spray liquids directly onto any surface.

Surface

Use warm water only to clean painted surfaces. Do not use abrasive cleaners on glass surface or spray liquids directly onto any surface.

Unit Storage

Store the unit when not in use in a dry, dust free location with the power cord properly secured.

One Year Limited Warranty

Products to which this limited warranty applies

This limited warranty applies to the following models of your newly purchased Dimplex electric fireplace **6901470100, DF12309, 6901470200, DF12310** and to newly purchased Dimplex fireplace surrounds (mantels) and trims. This limited warranty applies only to purchases made in any province of Canada *except* for Yukon Territory, Nunavut, or Northwest Territories or in any of the 50 States of the USA (and the District of Columbia) *except* for Hawaii and Alaska. This limited warranty applies to the original purchaser of the product only and is not transferable.

Products excluded from this limited warranty

Light bulbs are not covered by this limited warranty and are the sole responsibility of the owner/purchaser. Products purchased in Yukon Territory, Nunavut, Northwest Territories, Hawaii, or Alaska are not covered by this limited warranty. Products purchased in these States, provinces, or territories are sold AS IS without warranty or condition of any kind (including, without limitation, any implied warranties or conditions of merchantability or fitness for a particular purpose) and the entire risk of as to the quality and performance of the products is with the purchaser, and in the event of a defect the purchaser assumes the entire cost of all necessary servicing or repair.

What this limited warranty covers and for how long

Products covered by this limited warranty have been tested and inspected prior to shipment and, subject to the provisions of this warranty, Dimplex warrants such products to be free from defects in material and workmanship for a period of 12 months from the date of the first purchase of such product.

The limited 12 month warranty period also applies to any implied warranties that may exist under applicable law. Some jurisdictions do not allow limitations

on how long an implied warranty lasts, so the above limitation may not apply to the purchaser.

What this limited warranty does not cover

This limited warranty does not apply to products that have been repaired (except by Dimplex or its authorized service representatives) or otherwise altered. This limited warranty does further not apply to defects resulting from misuse, abuse, accident, neglect, incorrect installation, improper maintenance or handling, or operation with an incorrect power source.

What you must do to get service under this limited warranty

Defects must be brought to the attention of Dimplex Technical Service by contacting Dimplex at 1-888-DIMPLEX (1-888-346-7539), or 1367 Industrial Road, Cambridge Ontario, Canada N1R 7G8. Please have proof of purchase, catalogue/model and serial numbers available when calling. Limited warranty service requires a proof of purchase of the product.

What Dimplex will do in the event of a defect

In the event a product or part covered by this limited warranty is proven to be defective in material or workmanship during the 12 month limited warranty period you have the following rights:

- Dimplex will in its sole discretion either repair or replace such defective product or part without charge. If Dimplex is unable to repair or replace such product or part, or if repair or replacement is not commercially practicable or cannot be timely made, Dimplex may, in lieu of repair or replacement, choose to refund the purchase price for such product or part.
- Limited warranty service will be performed solely by dealers or service agents of Dimplex authorized to provide limited warranty services.
- The purchaser is responsible for removal and transportation of such product or part (and any repaired or replacement product or part) to and from the authorized dealer's or service agent's place of business.
- This limited warranty does not entitle the purchaser to on-site or in-home services. On-site or in-home services may be performed at the purchaser's specific request and expense at Dimplex's then-current rates for such services.
- Dimplex will not be responsible for, and the limited warranty services shall not include, any expense incurred for installation or removal of the product or part (or any replacement product or part) or any labour or transportation costs. Such costs shall be the purchaser's responsibility.

What Dimplex and its dealers and service agents are also not responsible for:

IN NO EVENT WILL DIMPLEX, OR ITS DIRECTORS, OFFICERS, OR AGENTS, BE LIABLE TO THE PURCHASER OR ANY THIRD PARTY, WHETHER IN CONTRACT, IN TORT, OR ON ANY OTHER BASIS, FOR ANY INDIRECT, SPECIAL, PUNITIVE, EXEMPLARY, CONSEQUENTIAL, OR INCIDENTAL LOSS, COST, OR DAMAGE ARISING OUT OF OR IN CONNECTION WITH THE SALE, MAINTENANCE, USE, OR INABILITY TO USE THE PRODUCT, EVEN IF DIMPLEX OR ITS DIRECTORS, OFFICERS, OR AGENTS HAVE BEEN ADVISED OF THE POSSIBILITY OF SUCH LOSSES, COSTS OR DAMAGES, OR IF SUCH LOSSES, COSTS, OR DAMAGES ARE FORESEEABLE. IN NO EVENT WILL DIMPLEX, OR ITS OFFICERS, DIRECTORS, OR AGENTS BE LIABLE FOR ANY DIRECT LOSSES, COSTS, OR DAMAGES THAT EXCEED THE PURCHASE PRICE OF THE PRODUCT.

SOME JURISDICTIONS DO NOT ALLOW THE EXCLUSION OR LIMITATION OF INCIDENTAL OR CONSEQUENTIAL DAMAGES, SO THE ABOVE LIMITATION OR EXCLUSION MAY NOT APPLY TO THE PURCHASER.

How State and Provincial law apply

This limited warranty gives you specific legal rights, and you may also have other rights which vary from jurisdiction to jurisdiction. The provisions of the United Nations Convention on Contracts for the Sale of Goods shall not apply to this limited warranty or the sale of products covered by this limited warranty.



Dimplex North America Limited
1367 Industrial Road • Cambridge ON
Canada N1R 7G8

1-888-346-7539 • www.dimplex.com

 **Dimplex**[®]

© 2010 Dimplex North America Limited

Approved for use in the United States and Canada
Printed in China